

**STEEL SECURITY SCREENS  
MODEL #4300****GENERAL**

---

- 1.1 Security screens must be tested by a recognized testing laboratory to conform to SMA 6001-2002 "Proposed American National Standard Specifications for Metal Protection Screens".
- 1.2 Security screens may be supplied with special tamper proof steel security installation screws requiring a special tool for removal.

**MATERIAL**

---

- 2.1 Frame and mullions shall be .024 G90 hot dipped galvanized steel, roll formed lock seamed tubular construction.
- 2.2 Stainless Steel screen cloth to be 304 h. alloy .028 inch diameter 12 x 12 with a tensile strength not less than 800 pounds per linear inch. (Mill Certificates are available).
- 2.3 Screen retainer angles shall be of 16 gauge galvanized roll formed steel.
- 2.4 Installation angles shall be of 16 gauge galvanized steel 052.

**CONSTRUCTION**

---

- 3.1 Fame shall be brazed together at corners.
- 3.2 Mullions to be brazed to frame. For added security a mullion rail can be used to separate two or more wire mesh sections.
- 3.3 Wire mesh screening shall have a 90 degree bend minimum ½ inch on all four sides and held in place with a 16 gauge continuous steel retainer angle applied with Rusco tamper proof screws 4 inch on centre to discourage easy removal.
- 3.4 Operable egress screens shall have .050 inch continuous 304 stainless steel piano hinge on opening edge, held in place by stainless steel rivets.
- 3.5 Hardware for egress section shall consist of stainless steel barrel bolts on both sides for positive locking and easy egress.

**STEEL SECURITY SCREENS  
MODEL #4300****FINISH**

---

4.1 All exposed surfaces of frame, wire mesh; installation angles and mullions shall be finished with a polyester powered paint, electrostatically applied and bakes for 20 minutes at 350°F. Colours to be selected from manufacturer's standard range.

OPTION: Special colours are available to match architectural requirements.  
(Minimum quantities or additional charges may apply).

**WARRANTY**

---

The screens shall be warranties for a period of one (1) year from the date of delivery. Warranty to cover against defects in material and workmanship, this warranty does not cover abuse, standard wear and tear or normal fading of colours.

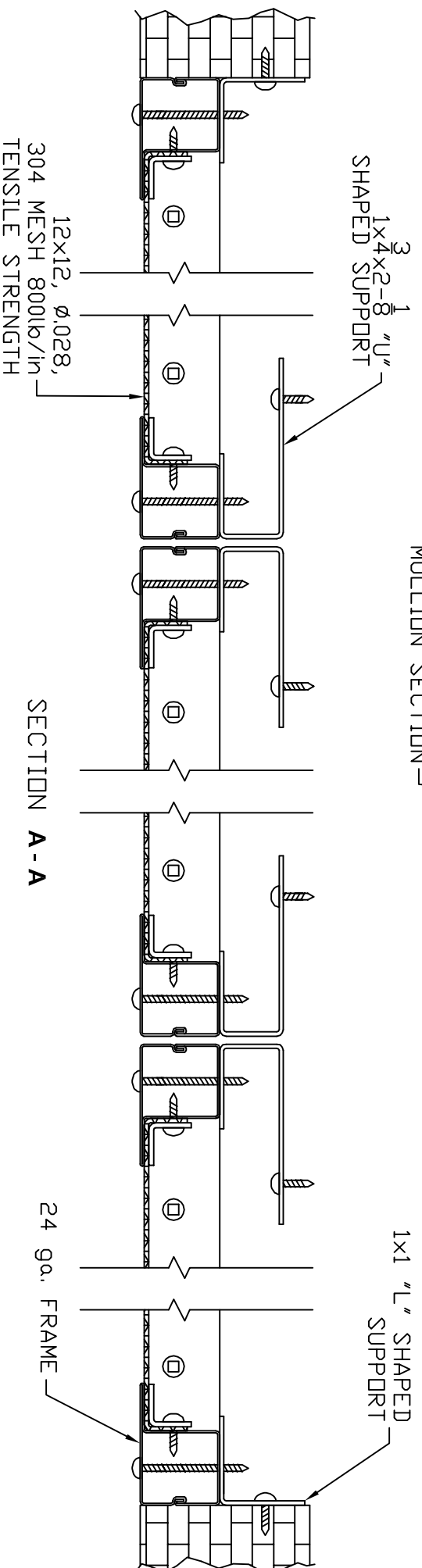
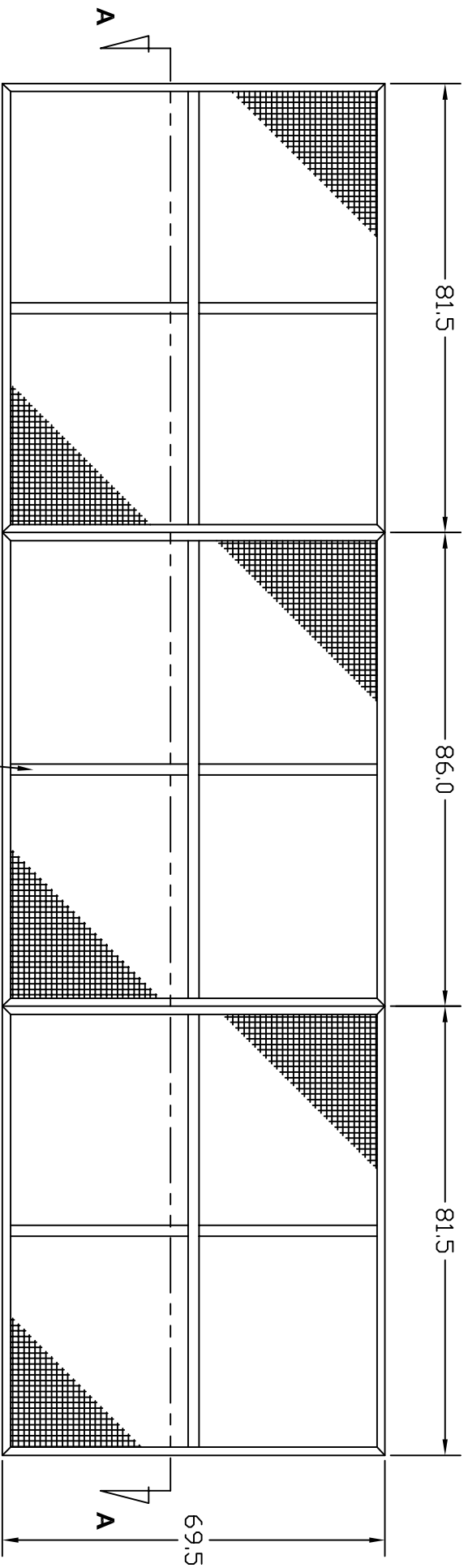
Single point latches available for emergency egress.

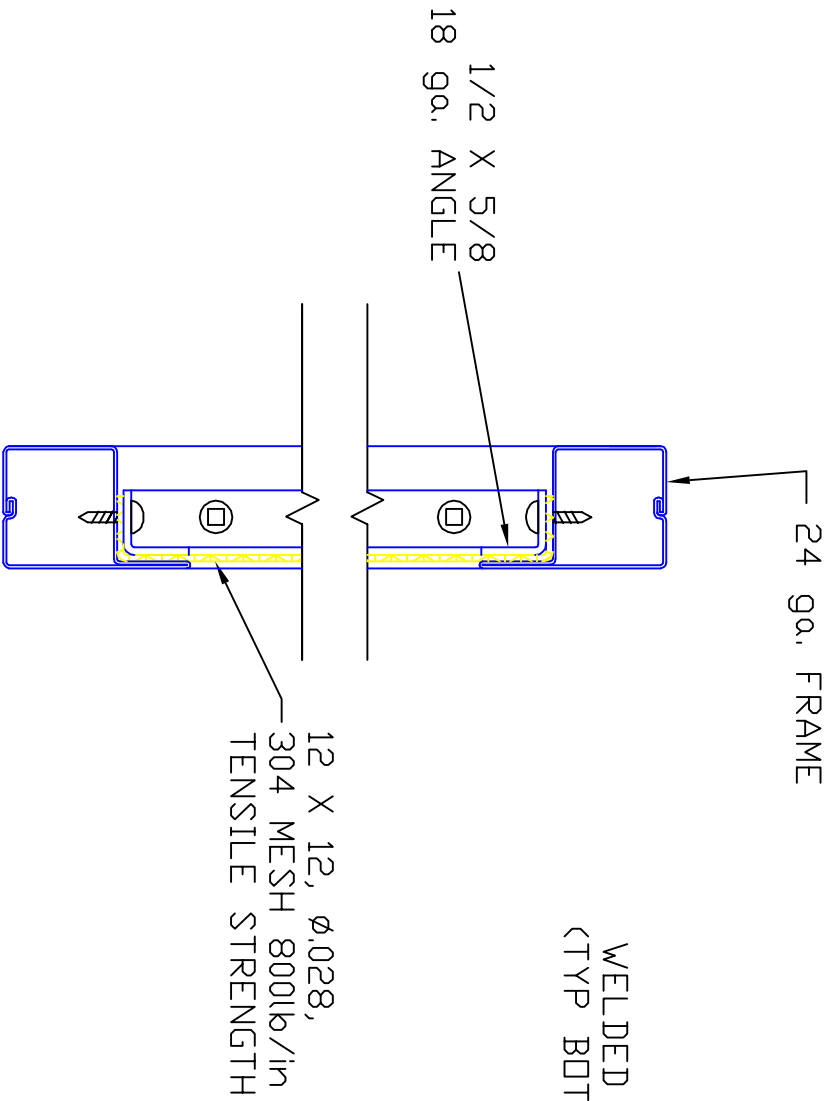
**SECURITY SCREEN MODELS**

---

Model #4300	-	Standard Fixed Security Screen
Model #4300	-	Standard Egress Security Screen
		Available with sub frame
		Available with top hinge
		Available with centre hinge
		Available with side hinge

**RUSCO**® MANUFACTURING INC.  
**SECURITY SCREEN**



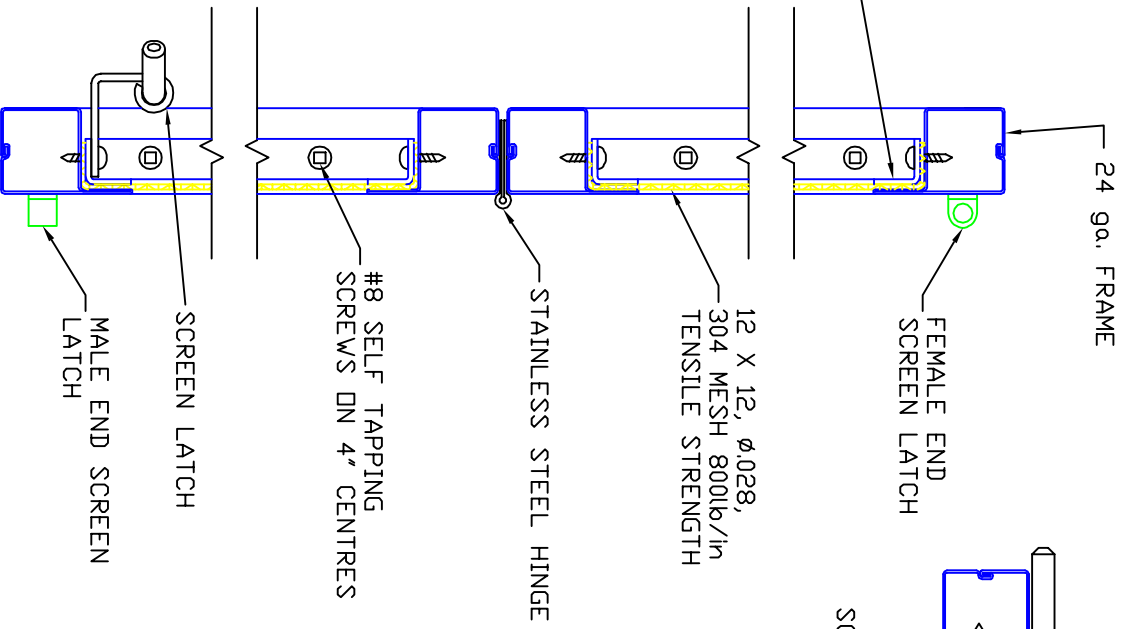


SECTION A-A

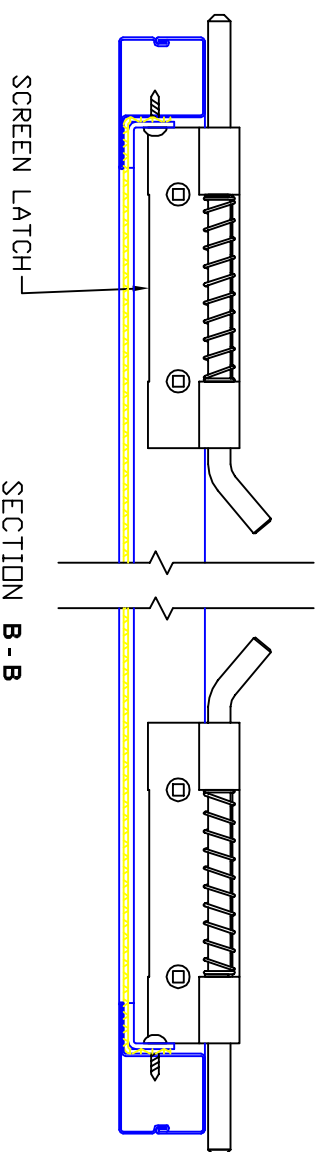
**RUSCO**® MANUFACTURING INC.

SECURITY SCREEN - MODEL 4300  
FIXED

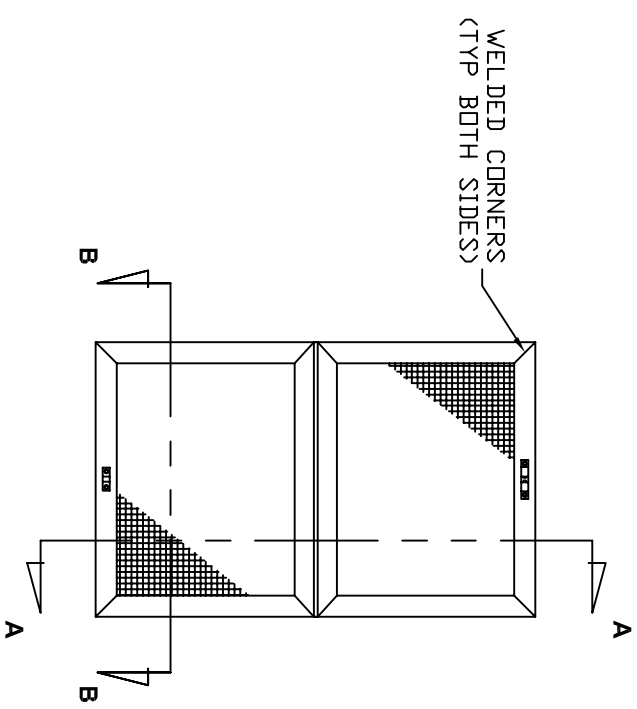
SIZE	FSCM NO.	DWG NO.	REV
SCALE	MAY 17, 99	SHEET	



SECTION A-A



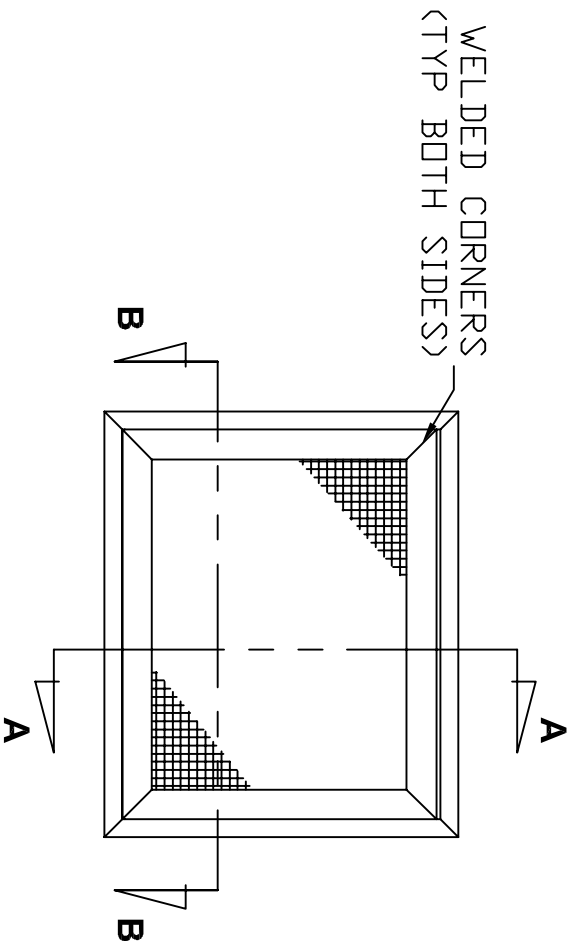
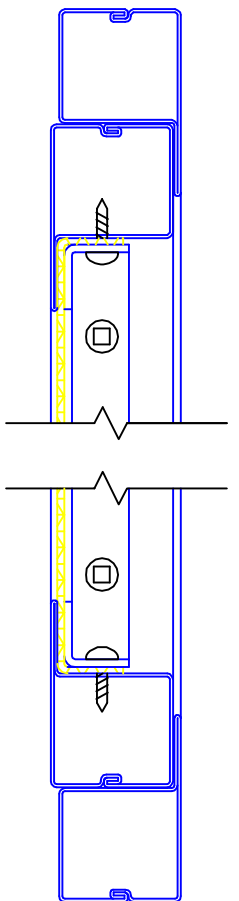
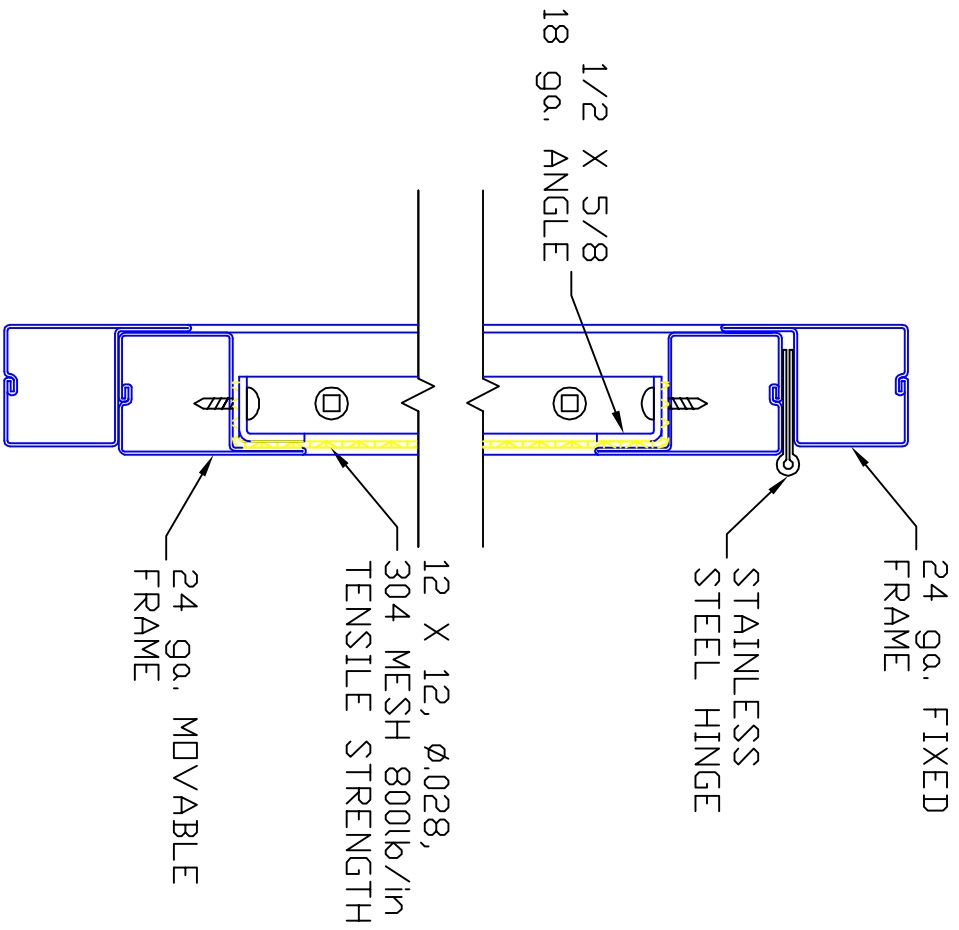
SECTION B-B



**RUSCO**® MANUFACTURING INC.

SECURITY SCREENS 4300  
CENTER HINGE WITHOUT SUBFRAME

SIZE	FSCM NO.	DWG NO.	REV
SCALE	MAY 17, 99	SHEET	

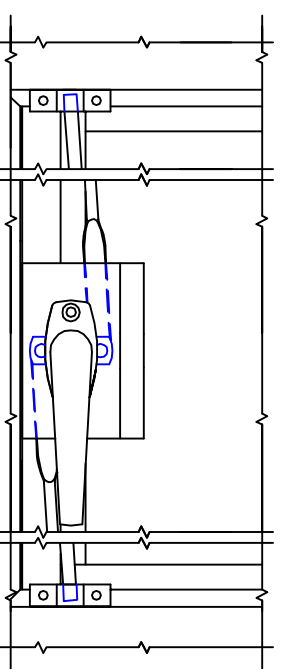
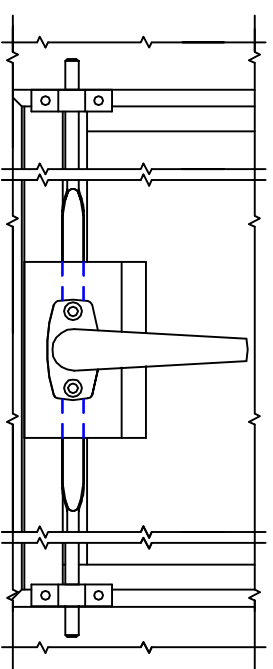
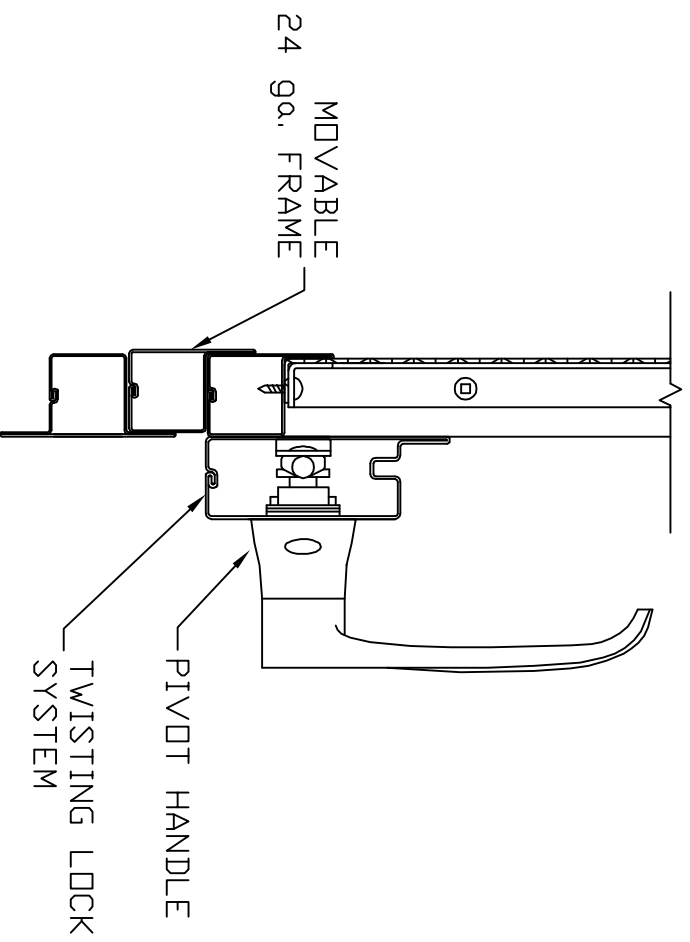
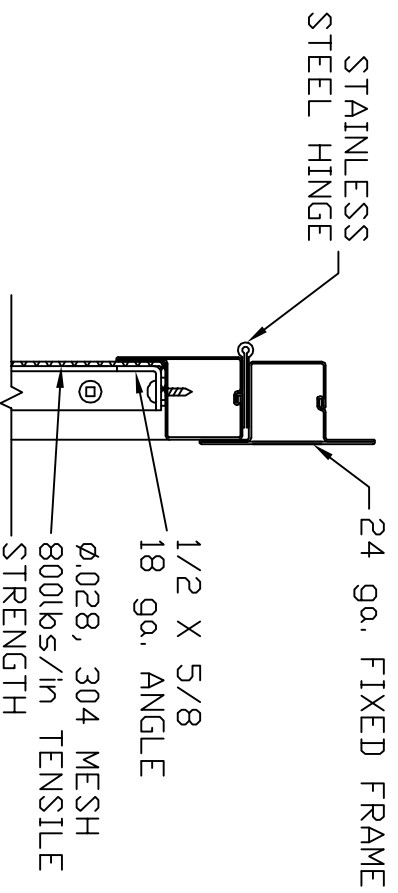


<b>RUSCO</b> ® MANUFACTURING INC.			
SECURITY SCREEN - MODEL 4300 TOP HINGE WITH SUBFRAME			
SIZE	FSCM NO.	DWG NO.	REV
SCALE	JULY 16, 99	SHEET	

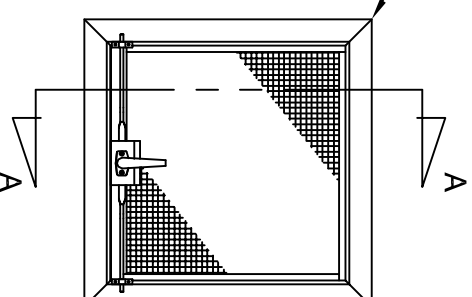
# RUSCO<sup>®</sup> MANUFACTURING INC.

## OPERABLE SCREEN

(TOP HINGE)



WELDED CORNERS  
(TYP BOTH SIDES)



**RUSCO** MANUFACTURING INC. Specifications

**CLEANING AND CARING FOR  
YOUR NEW RUSCO SECURITY SCREENS**

**STEP ONE**

---

Wash screen and frame with a mild non-abrasive soap and soft cloth.

**STEP TWO**

---

Rinse screen and frame with water and dry with chamois, making sure there are no water spots.