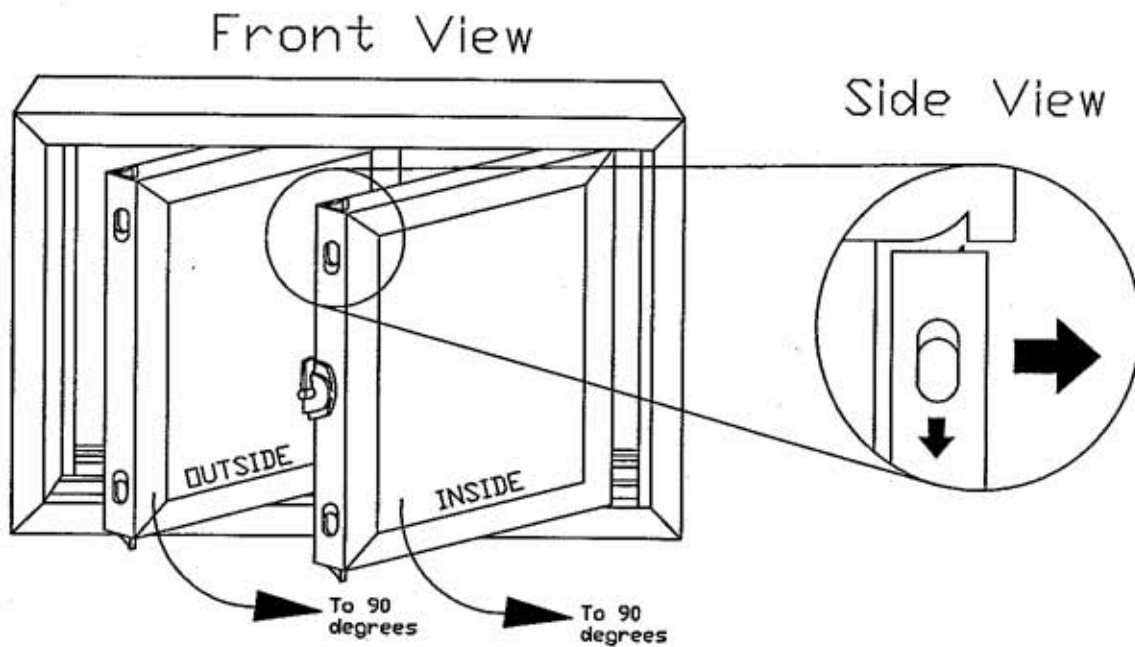
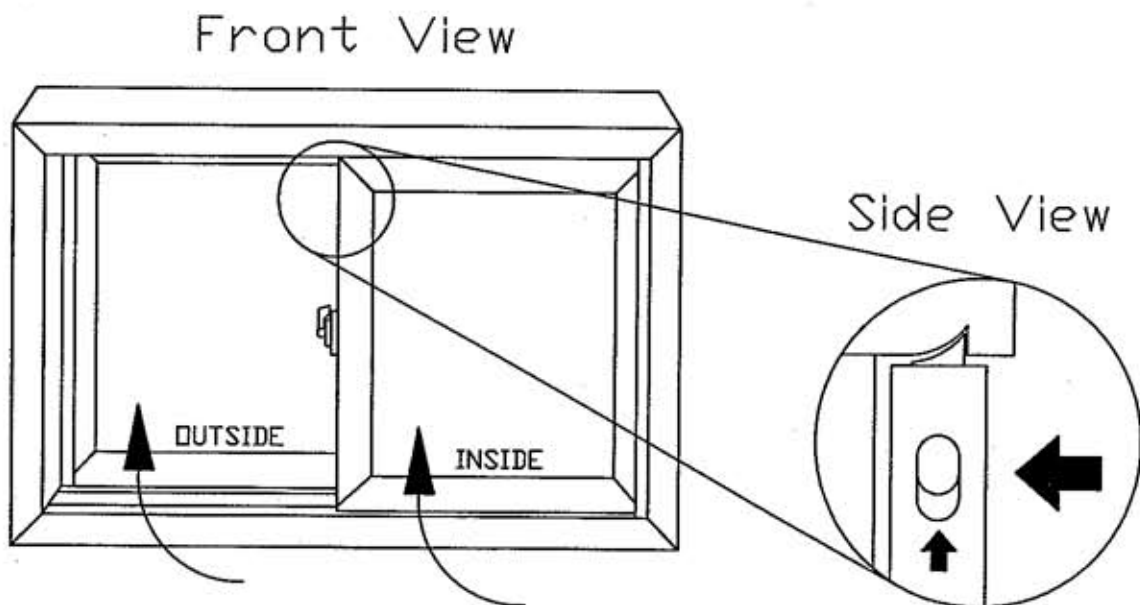


# Opening Instructions for Cleaning of Double Horizontal Tilt Windows



TO OPEN WINDOW, DEPRESS BOTH INSIDE TILT CLIPS AND SWING INSIDE WINDOW SASH IN SUPPORTING IT UNTIL IT REACHES A 90 DEGREE ANGLE WITH THE FRAME. REPEAT THESE STEPS FOR THE OUTSIDE WINDOW SASH.



TO CLOSE WINDOW PROPERLY, SUPPORT THE OUTSIDE WINDOW SASH WHILE SWINGING IT BACK INTO FRAME. MAKE SURE BOTH TILT CLIPS ARE FULLY ENGAGED IN THE CLOSED POSITION. REPEAT THESE STEPS FOR THE INSIDE WINDOW SASH.