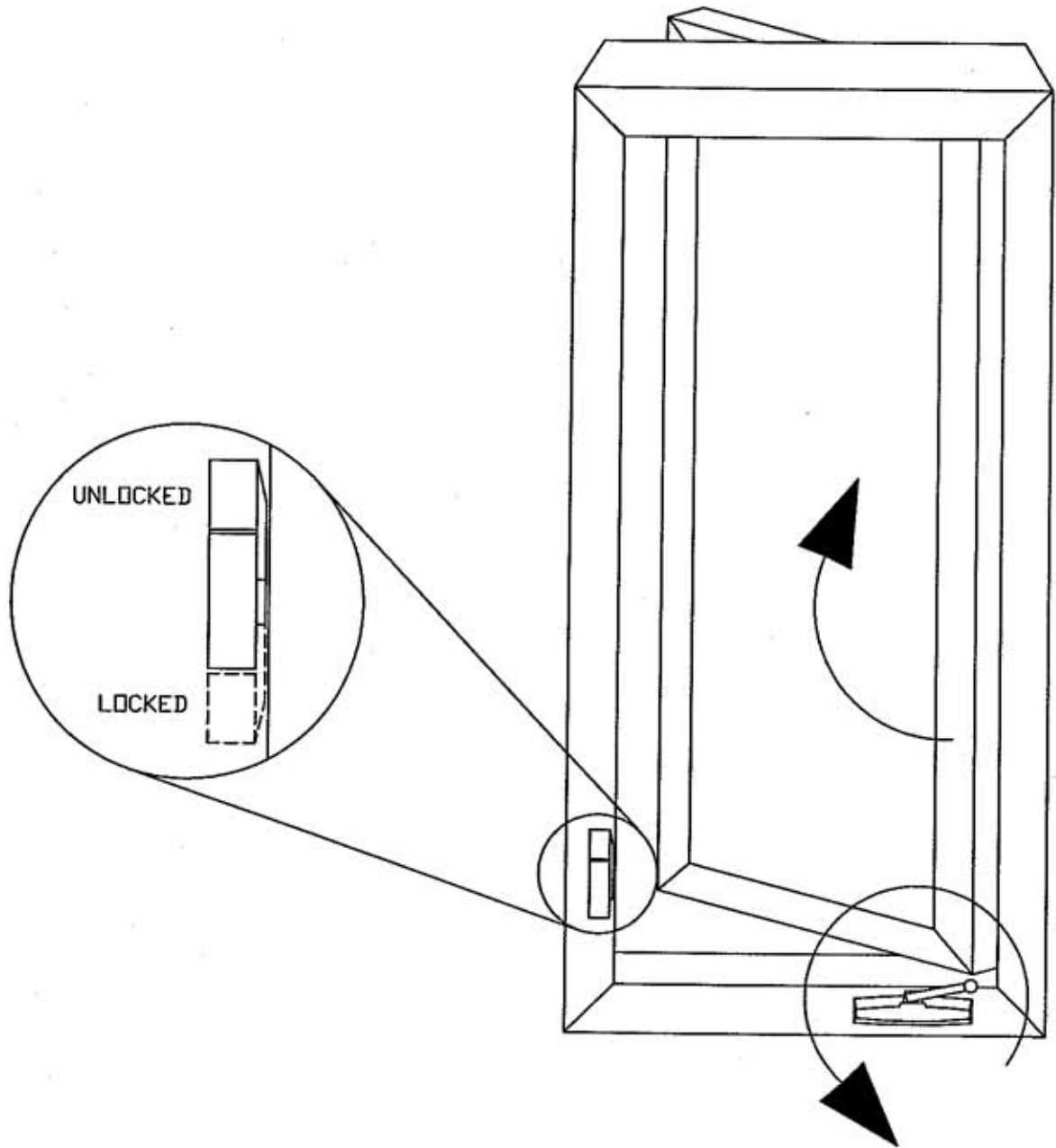


Opening Instructions for Casement Hinged Window



TO OPEN WINDOW, PLACE THE LOCK IN THE UNLOCKED POSITION AND TURN THE CRANK HANDLE COUNTER CLOCKWISE UNTIL WINDOW SASH REACHES A 90 DEGREE ANGLE WITH THE FRAME.